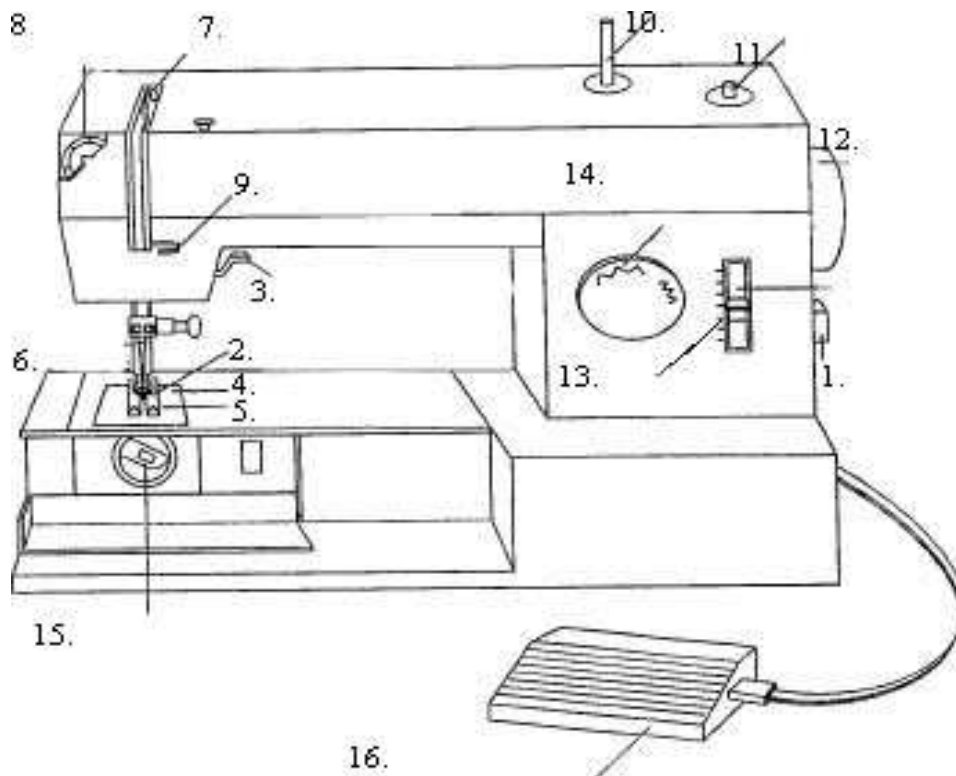


Parts of the Sewing Machine

Write the name of the correct part next to the number.

1. _____
2. _____
3. _____
4. _____
5. _____
6. _____
7. _____
8. _____
9. _____
10. _____
11. _____
12. _____
13. _____
14. _____
15. _____
16. _____

- Power Switch
- Foot Control
- Upper Tension Regulator
- Thread Take-Up
- Spool Pin
- Bobbin Winder
- Balance Wheel
- Stitch Width Regulator
- Stitch Length Regulator
- Bobbin Case / Bobbin
- Thread Guide
- Presser Foot Lifter
- Needle
- Throat Plate
- Feed Dogs
- Presser Foot



Answer Key—Parts of a Sewing Machine

